



WARNING

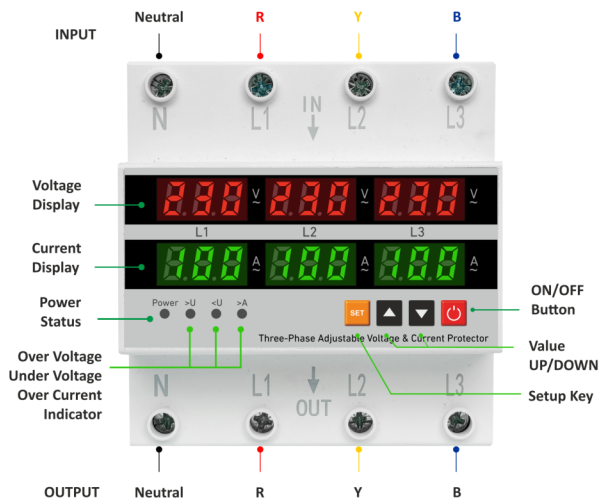
1. The equipment must be installed by qualified professionals.
2. Before operating the device, disconnect all power supplies and do not touch any terminal when the power supply is connected.
3. Verify that terminals are properly connected.
4. Do not disassemble or repair otherwise, this will void the product warranty.
5. Do not use the equipment in places that may be corroded by gas, strong sunlight and rain.
6. Clean equipment with a dry cloth.

Failure to comply with these instructions will result in serious injury or serious accident.



3-Phase Multi-Function Protector
with Phase Imbalance Protection

USER MANUAL



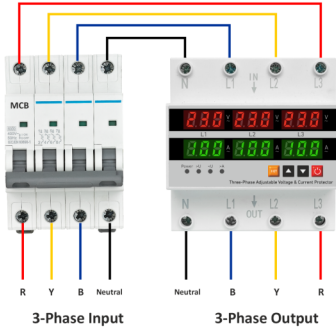
Technical Specifications

Rated Supply Voltage	: AC 230V
Operating Voltage Range	: AC 120~300V (3-Phase)
Rated Frequency	: 50/60Hz
Over Current (>A) Setting Range	: 1~100A
Over-Voltage (<V) Setting Range	: 230~300V
Under-Voltage (>V) Setting Range	: 120~210V
Error/Tolerance	: 2%
>V or <V Trip Delay	: 0.5 Sec
Rated Insulation Voltage	: 450V
Output Contact	: 1 No
Electrical Life	: 10000 Hrs
Mechanical Life	: 100000 Hrs
Protection Degree	: IP20
Operating Temperature	: -5°C ~ 50°C

Protector Status

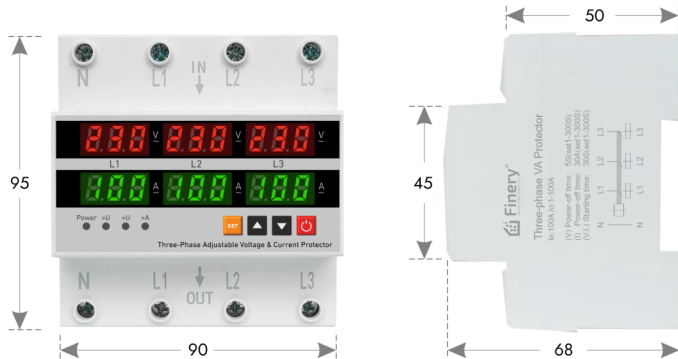
1. If a voltage fault is detected during the relay's reset/start delay countdown, the output relay will activate and the fault indication LED will light up.
2. During normal operation, the operating voltage and current values will be displayed on the screen. If a voltage or current fault is detected, the output relay will activate and the fault indication LED will light up.
3. **Voltage Fault:** If the input voltage returns to the hysteresis (Hys) value after a voltage fault, the relay will automatically reset. During the reset/start delay countdown, the fault indicator LED will turn off, and the operating voltage and current values will flash on the display.
4. **Current Fault:** If the relay trips due to overcurrent, it will reset automatically. During the reset/start delay countdown, the fault indicator LED will remain off, and the operating voltage and current values will flash on the display.

Wiring



Simply connect output of our 3-Phase MCB to the input of 3-Phase Protector

Product Dimensions



NOTE : All dimensions in mm



Quality & Support Assurance

Every product is tested before packing & dispatch. If you face any issue while using the product e.g. kindly contact us on our WhatsApp support number provided below before returning or replacing the product for easy processing. We provide 100% refund/replacement if issue is not resolved.

WHATSAPP SUPPORT

 **+91 75592 39386**

(Mon-Sat, 10:00 AM to 6:00 PM)

Function Settings (SET)

Keep pressing **SET** button to select setting and adjust the value by pressing **▲▼** button to increase or decrease values respectively.

NOTE : You can directly start using the device without adjusting any values unless you need adjustments for specific device of application.

P-1	Power-ON Delay Time	P-11	Phase Sequence Switch
10	1 Sec - 600 Sec	on	On/OFF
SET		SET	
P-2	Protection Recovery Delay	P-12	Over-current Protection Value
30	1 Sec - 600 Sec	36	Range : 1-99.9A
SET		SET	
P-3	Over Voltage Protection Value	P-13	Over-current protection action delay
265	Range : 120-300V	30	0.1 Sec - 60 Sec
SET		SET	
P-4	Over-Voltage Recovery Value	P-14	Continuous Over-current Protection Frequency
130	Range : 115-295V	10	0-20
SET		SET	
P-5	Under-Voltage Protection Value	P-15	3-Phase Current Error Calibration
110	Range : 80-210V	0	-9.5 - 9.5A
SET		SET	
P-6	Under-Voltage Recovery Value	P-16	Password Setting
175	Range : 85-215V	30	000-999
SET		SET	
P-7	Voltage Protection Action Delay		
17	0.1 Sec - 60 Sec		
SET			
P-8	3-Phase Voltage Imbalance Value		
25	Range : 20-100V		
SET			
P-9	3-Phase Imbalance Recovery Value		
17	Range : 5-95V		
SET			
P-10	3-Phase Voltage Error Calibration		
0	-9.5 - 9.5V		

Long Press **SET** button to save the values.

Factory Reset :

When protector is in ON status press **OFF** to turn it OFF. Then press and hold **OFF** button for 5 seconds to factory reset all settings.